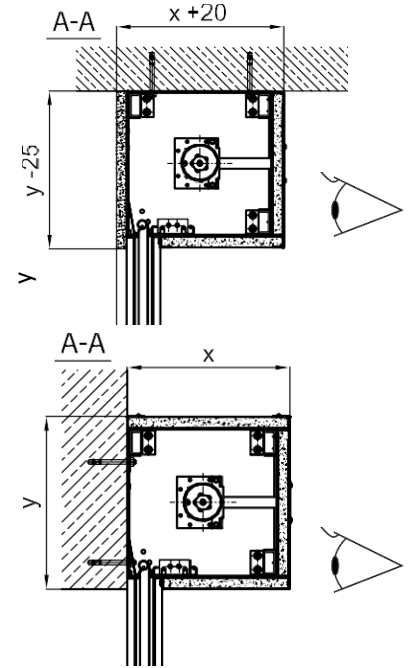
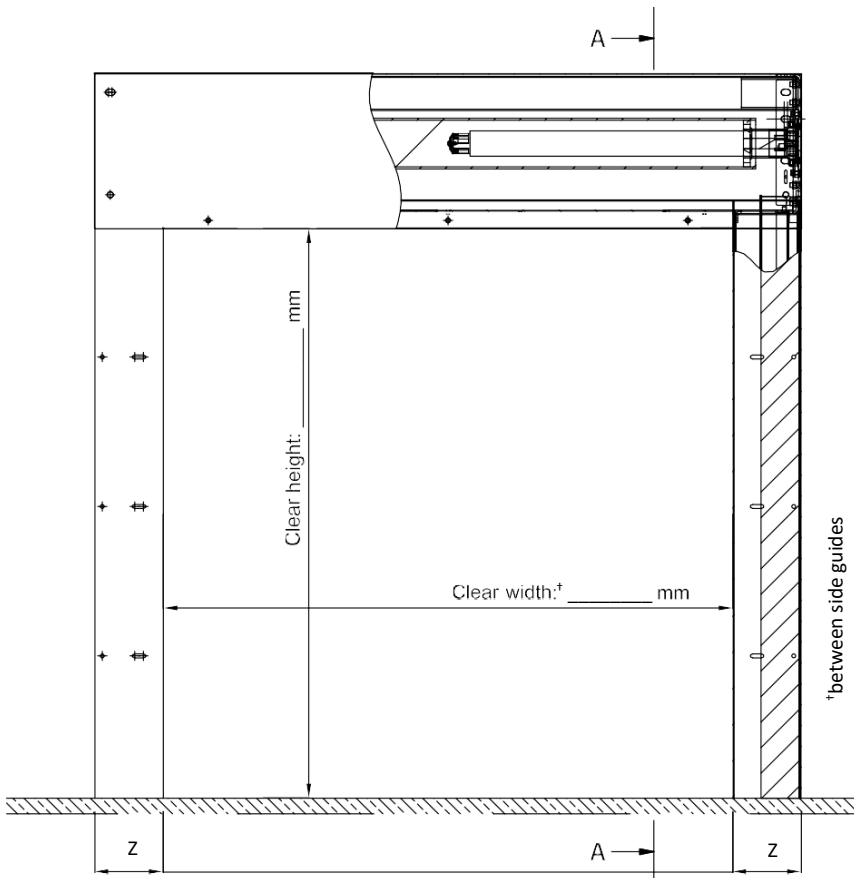


Version EI 30+/60+

Client (Customer):	SIMON PROtec (Sales):
Project: _____	Process No.: _____
Name: _____	Editor: _____
Date / Signature: _____	Date / Signature: _____

Motor position: left right



Z = 120 mm (≤ 6000 × 2000)
Z = 140 mm (> 6000 × 2000)

Dimensions of head box: Depth x / Height y (depending on clear dimensions)

- Wall mounting = **Depth x / Height y**
- Mounting in the reveal = **Depth x (+20 mm promat cladding) / Height y**

Clear height	Clear width in mm (between side guides)										
	1000	1500	2000	2500	3000	3500	4000	4500	5000	5500	6000
1000											
1250											
1500											
1750											
2000											
2250											
2500											
2750											
3000											
3250											
3500											
3750											
4000											
4250											
4500											
4750											
5000											

* To select the correct head box, the dimensions must be rounded up

x = 300	y = 325	x = 350	y = 375	x = 400	y = 425	x = 450	y = 475	x = 500	y = 525
---------	---------	---------	---------	---------	---------	---------	---------	---------	---------

Installation location:



- Weather protection plate
 Heating

Version of the coating:

- galvanized (standard)

Special design (extra charge):

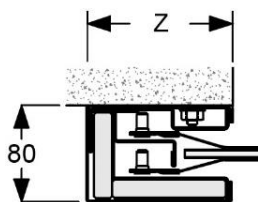
- RAL _____ gloss level (20-30 %): _____ matte visible elements in stainless steel

Mounting / base material:

only approved / tested fasteners may be used!

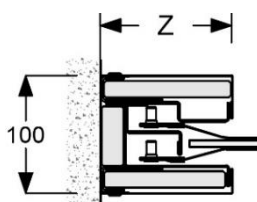
- Concrete / hollow concrete Aerated concrete
 Solid masonry / hollow masonry (Bricks) Steel construction (promat cladding)

Mounting side guides:



Wall mounting

- left right

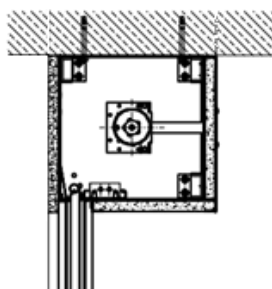


Reveal mounting

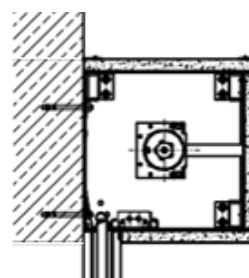
- left right

Mounting head box:

- Ceiling mounting



- Wall mounting



 = Head box reinforced with promat cladding

- Control unit with battery backup: yes no