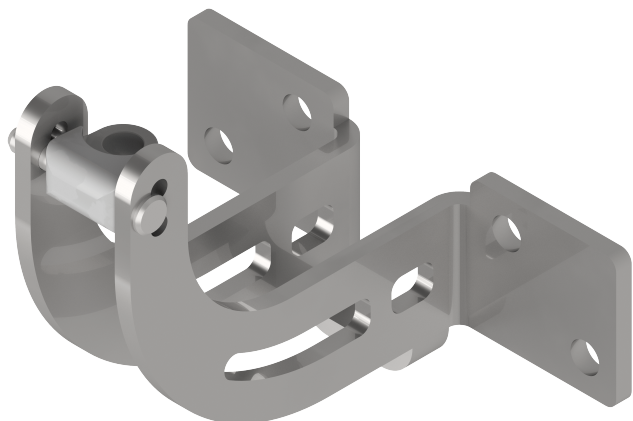


## Technical Data



### ARTICLE INFO

The bracket K-K20-AKI-DL is an accessory for the chain actuator PA-K-20/xxx.

#### Application:

- Offset bracket set with chain end piece for actuator series PA-K-20/xxx. For rotatable installation on the sash for inward opening windows. Material: stainless steel

#### Overview bracket K-K20-AKI-DL:

- spare part
- Offset bracket set with chain end piece for inward opening windows
- For rotatable installation

### TECHNICAL DATA

Matchcode	K-K20-AKI-DL
Article name	Bracket K-K20-AKI-DL
Part number	K2 2205
Weight	0.2